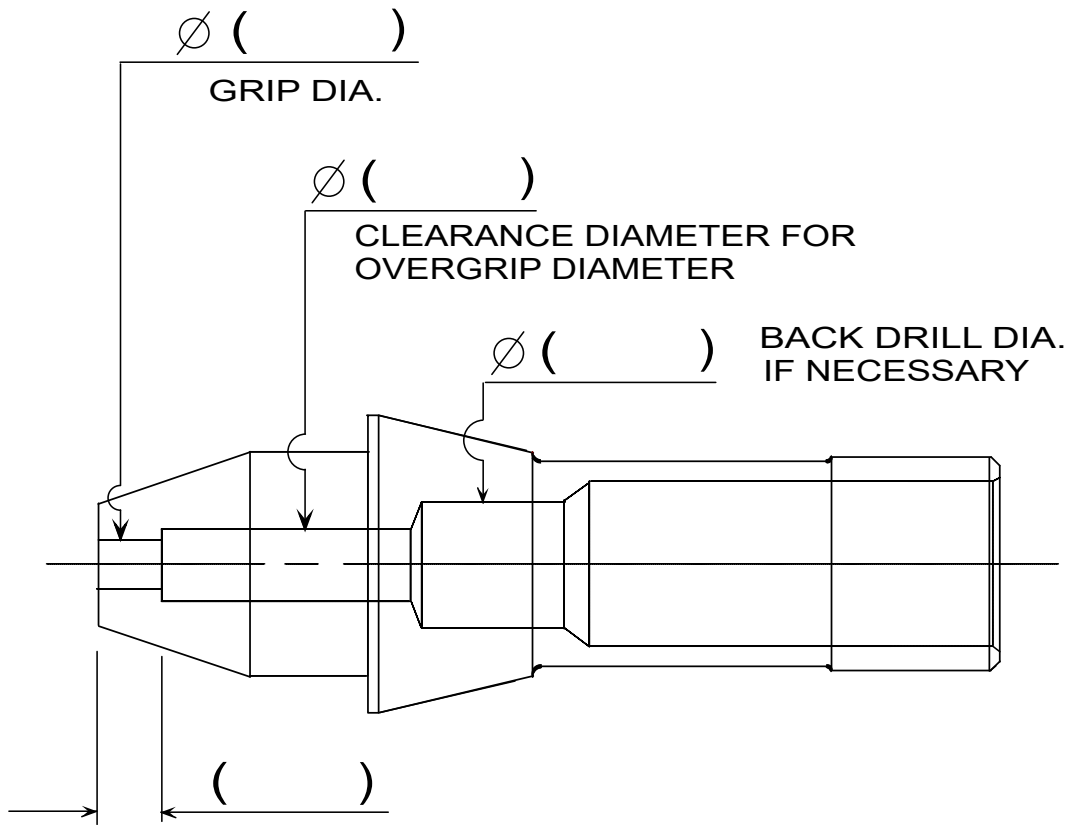


# BLANK DRAWING EN OVERGRIP

## EXTENDED NOSE COLLET OVERGRIP BORE



DIAMETER TO CLEAR ( )  
(OVER GRIP DIAMETER)

**NOTE:**

PLEASE USE THE SEPARATE EXTENDED NOSE  
DRAWING BLANK FOR EXTENDED NOSE DIMENSIONS

